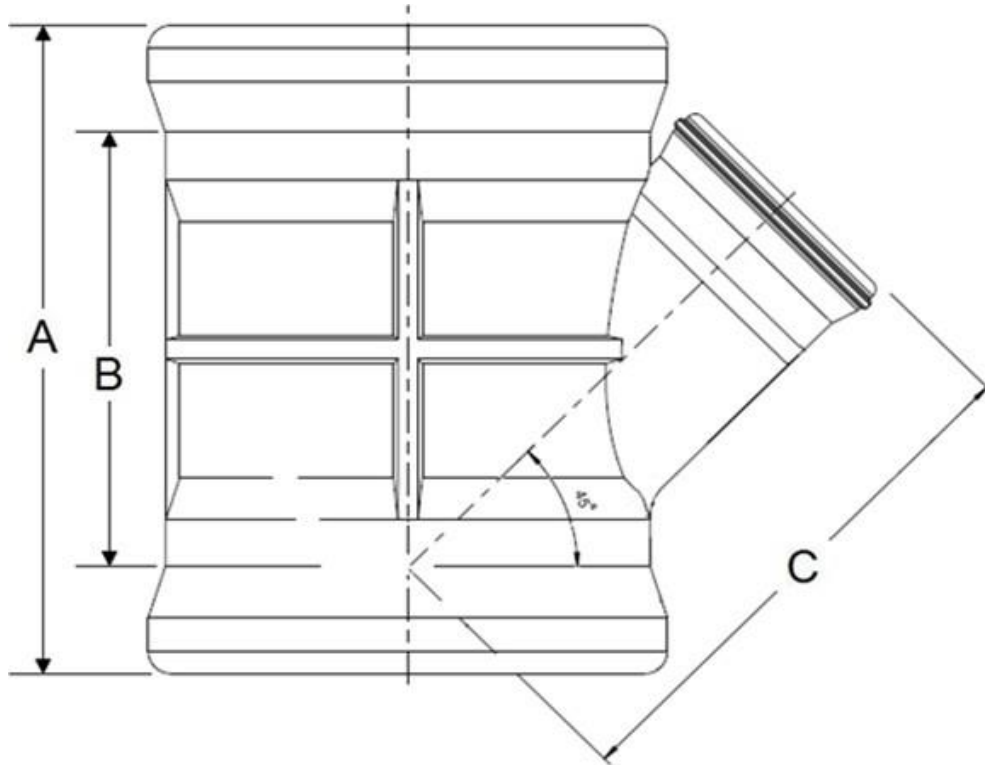


# Laying Length

SDR 26 Gasket

## WYE GxGxG



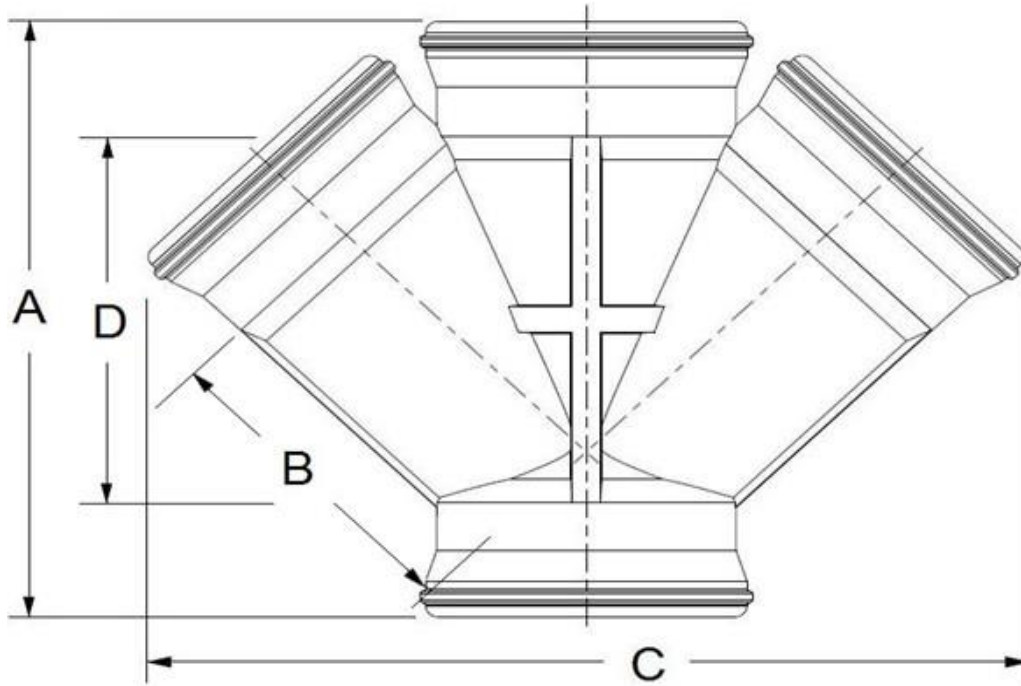
## INJECTION MOLDED FITTING

Part #	Description	A	B	C
37-1033	WYE GXGXG 4"	10.47	6.14	7.28
37-1034	WYE GXGXG 6" x 4"	11.97	6.30	9.06
37-1035	WYE GXGXG 6"	14.80	9.25	10.33
37-1036	WYE GXGXG 8" x 4"	13.11	6.50	10.35
37-1037	WYE GXGXG 8" x 6"	15.75	9.57	12.83
37-116	WYE GXGXG 10" x 4"	14.57	6.54	11.42
37-117	WYE GXGXG 10" x 6"	17.32	9.45	13.39
37-120	WYE GXGXG 12" x 4"	19.00	9.69	13.31
37-121	WYE GXGXG 12" x 6"	19.00	9.69	14.57

# Laying Length

SDR 26 Gasket

## DOUBLE WYE GxGxGxG



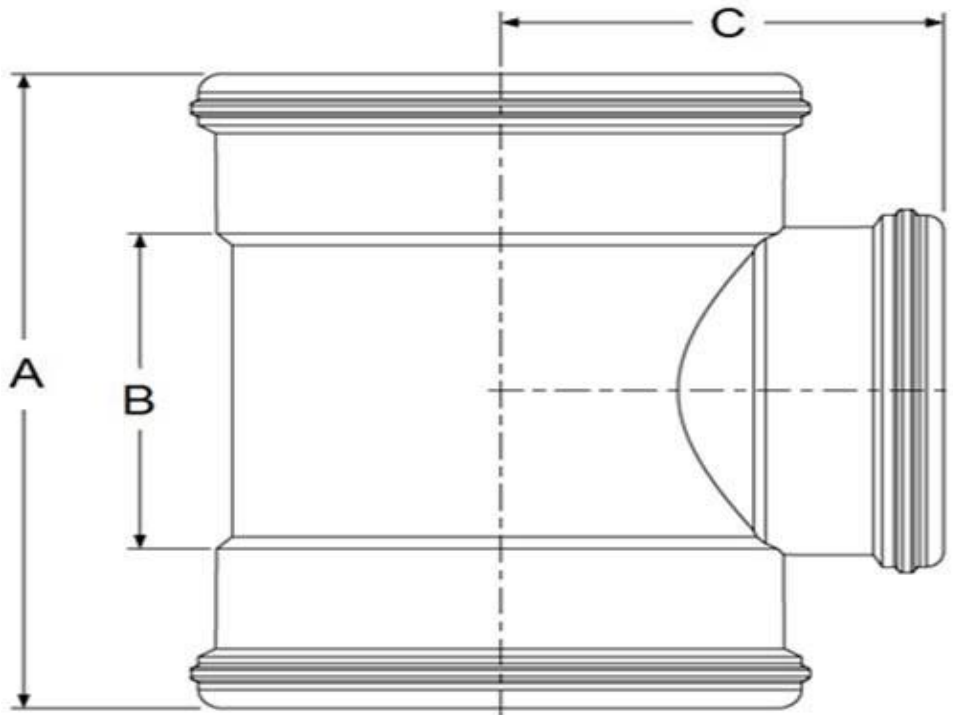
### INJECTION MOLDED FITTING

Part #	Description	A	B	C	D
37-1038	DOUBLE WYE GXGXGXG 6" X 4"	12.73	6.88	17.59	6.27
37-1039	DOUBLE WYE GXGXGXG 6"	15.37	7.93	21.12	9.03

# Laying Length

SDR 26 Gasket

## TEE GxGxG



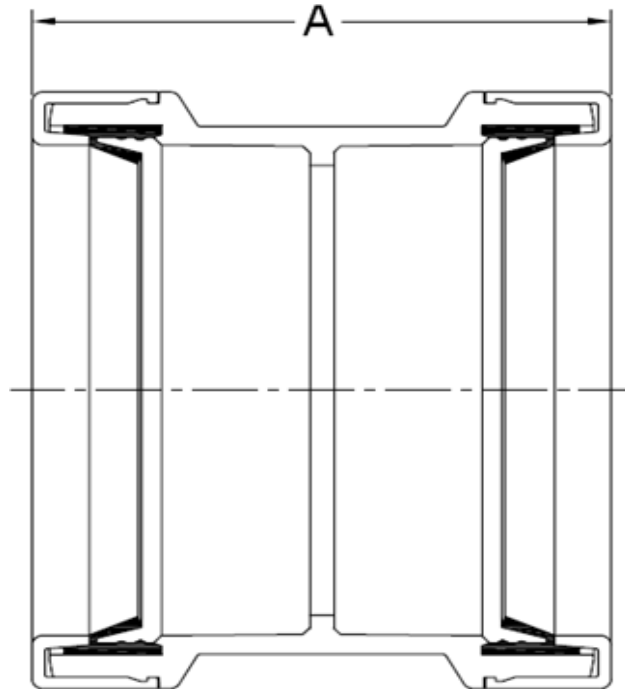
## INJECTION MOLDED FITTING

Part #	Description	A	B	C
37-1024	TEE GXGXG 4"	10.22	4.40	5.12
37-1025	TEE GXGXG 6" X 4"	11.15	4.70	6.06
37-1026	TEE GXGXG 6"	13.03	6.58	6.52
37-87	TEE GXGXG 8" x 4"	13.62	5.05	7.59
37-88	TEE GXGXG 8" x 6"	15.75	7.10	7.94
37-89	TEE GXGXG 8"	17.32	8.80	8.66

# Laying Length

SDR 26 Gasket

## COUPLING STOP GxG



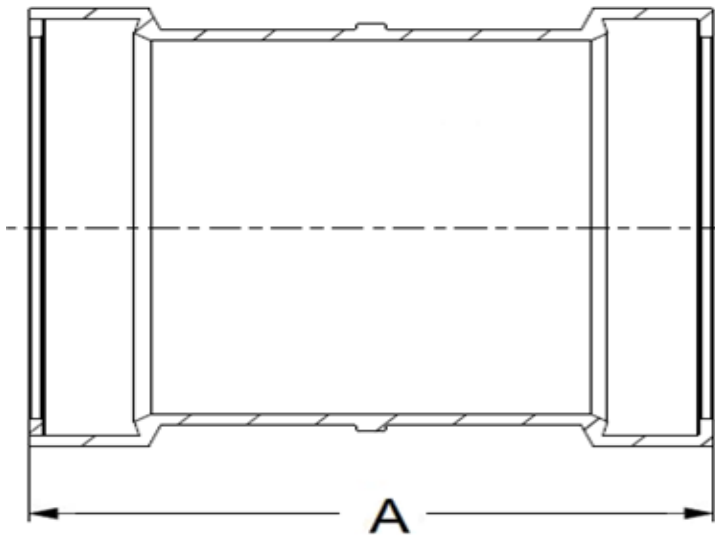
## INJECTION MOLDED FITTING

Part #	Description	A
37-1005	COUPLING STOP GXG 4"	6.00
37-1006	COUPLING STOP GXG 6"	6.75
37-1007	COUPLING STOP GXG 8"	10.75

# Laying Length

SDR 26 Gasket

## REPAIR COUPLING GxG



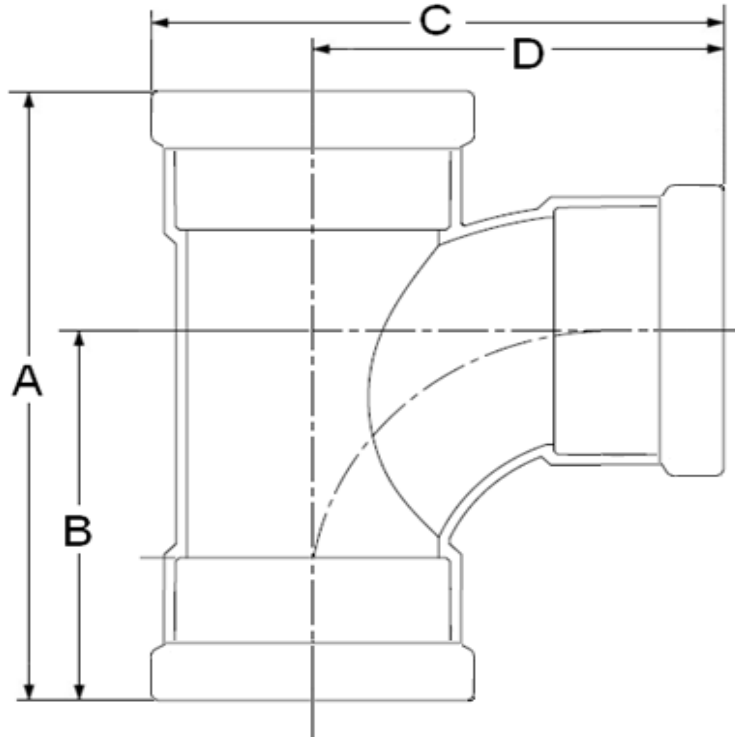
INJECTION MOLDED FITTING

Part #	Description	A
37-1002	REPAIR COUPLING GXG 4"	6.00
37-1003	REPAIR COUPLING GXG 6"	6.71
37-1004	REPAIR COUPLING GXG 8"	10.75

# Laying Length

SDR 26 Gasket

## TEE WYE GxGxG



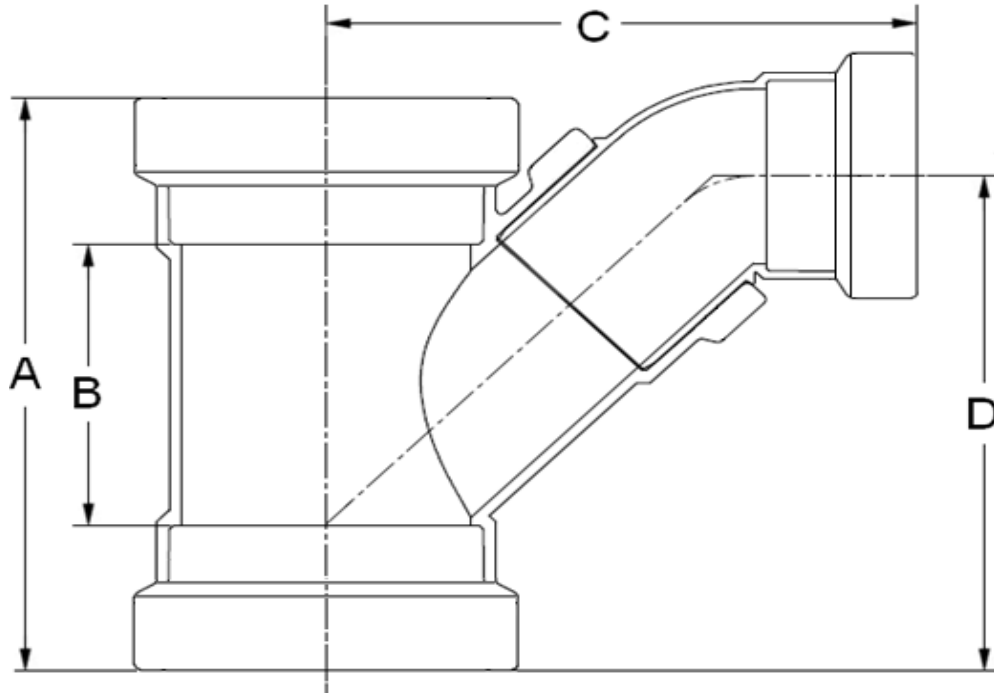
## INJECTION MOLDED FITTING

Part #	Description	A	B	C	D
37-1027	TEE WYE GXGXG 4"	11.43	6.79	9.35	6.63
37-1028	TEE WYE GXGXG 6" x 4"	12.97	7.26	11.37	7.53
37-1029	TEE WYE GXGXG 6"	14.98	9.23	1307.00	9.23
37-808	TEE WYE GXGXG 8" x 4"				
37-809	TEE WYE GXGXG 8" x 6"	18.75	10.47	15.65	10.77
37-140	TEE WYE GXGXG 8"	19.68	11.17	16.18	11.16

# Laying Length

SDR 26 Gasket

## TEE WYE & 1/8 BEND



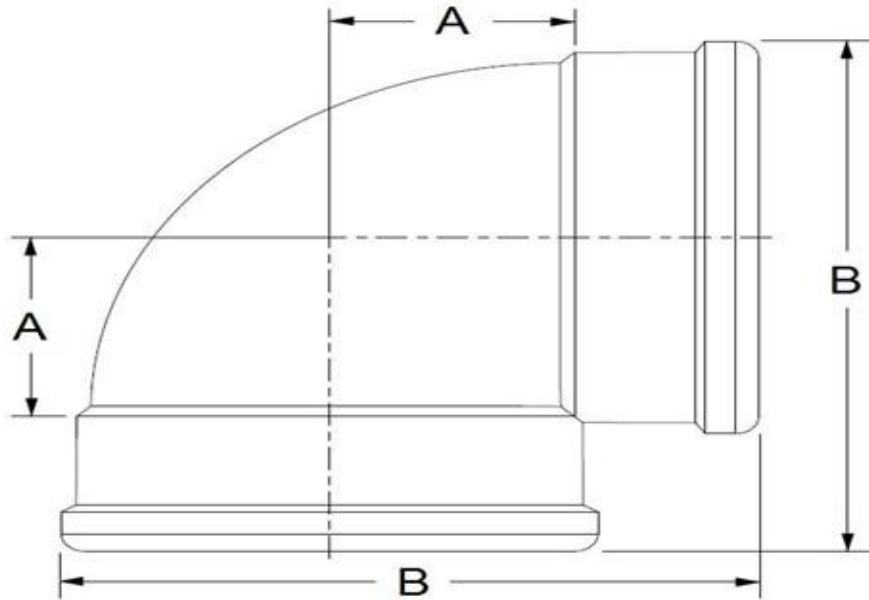
## INJECTION MOLDED FITTING

Part #	Description	A	B	C	D
37-141	TEE WYE & 1/8 BEND 10" X 4" (2 PIECES)	14.57	13.52	6.54	11.77
37-142	TEE WYE & 1/8 BEND 10" X 6" (2 PIECES)	16.40	8.29	16.49	14.67
37-144	TEE WYE & 1/8 BEND 12" X 4" (2 PIECES)	19.00	14.64	9.69	13.88
37-145	TEE WYE & 1/8 BEND 12" X 6" (2 PIECES)	19.00	16.83	9.69	15.11

# Laying Length

SDR 26 Gasket

## ELBOW 90° GxG



INJECTION MOLDED FITTING

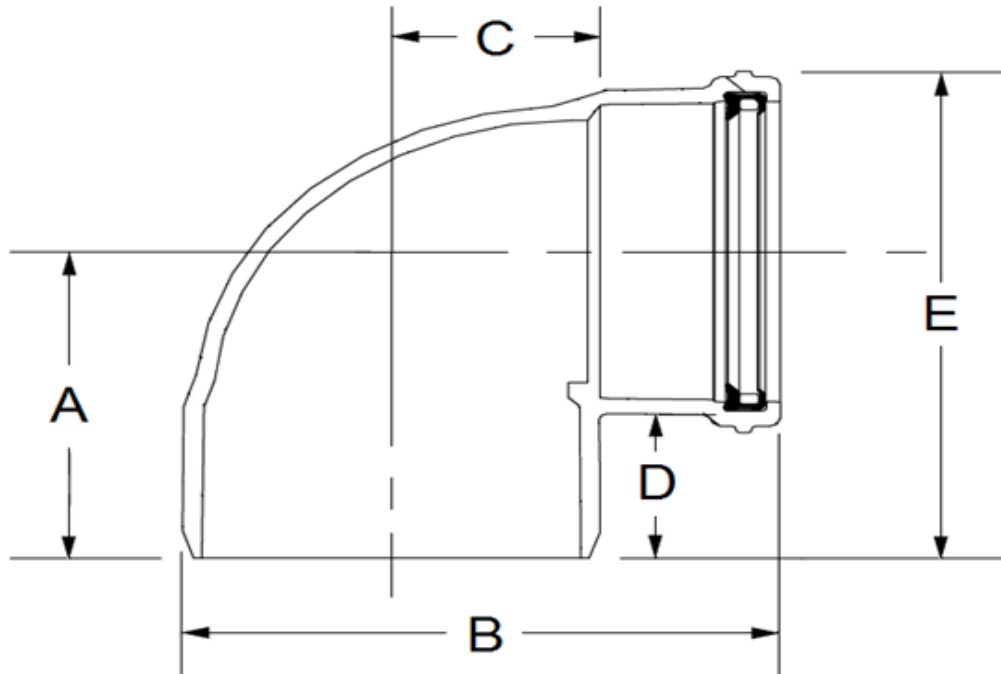
Part #	Description	A	B
37-1016	ELBOW 90 GXG 4"	2.13	6.25
37-1017	ELBOW 90 GXG 6"	4.38	9.25
37-157	ELBOW 90 GXG 8"	4.77	11.75



# Laying Length

SDR 26 Gasket

## ELBOW 90° GxS



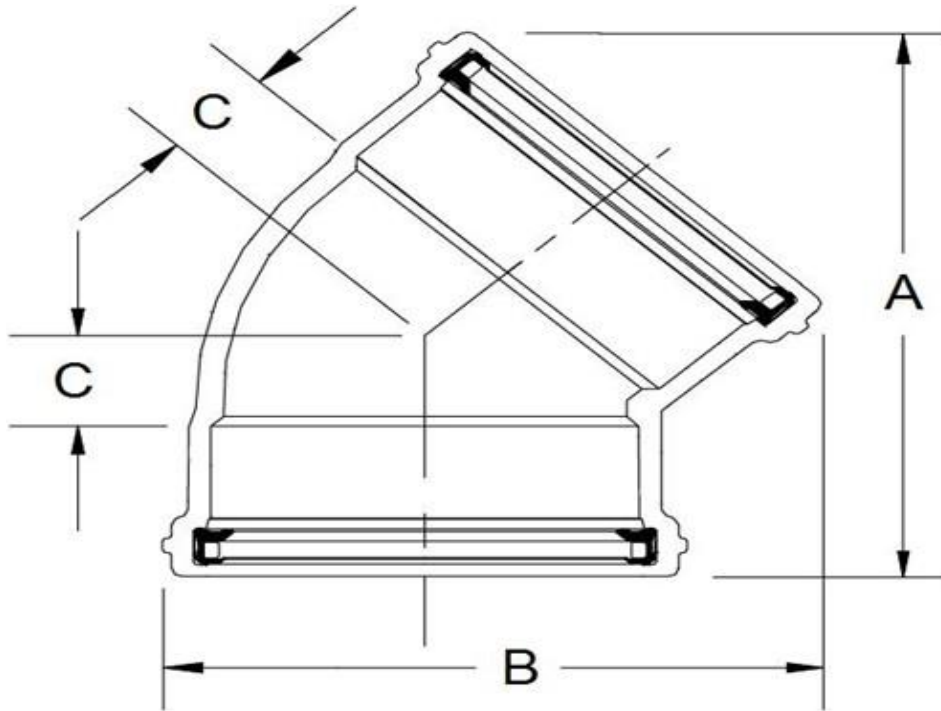
## INJECTION MOLDED FITTING

Part #	Description	A	B	C	D	E
37-1020	ELBOW 90 GXS 4"	4.95	6.84	2.22	2.34	7.19
37-1021	ELBOW 90 GXS 6"	6.04	9.13	3.28	2.73	9.63
37-176	ELBOW 90 GXS 8"	8.09	11.13	4.38	3.49	12.84

# Laying Length

SDR 26 Gasket

## ELBOW 45° GxG



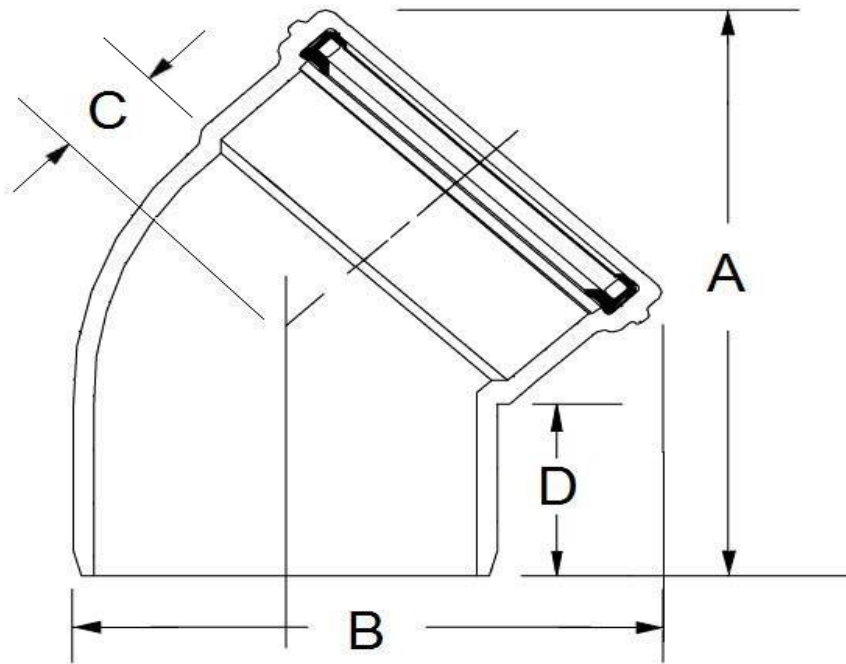
INJECTION MOLDED FITTING

Part #	Description	A	B	C
37-1012	ELBOW 45 GXG 4"	7.50	6.25	0.96
37-1013	ELBOW 45 GXG 6"	10.50	8.50	1.41
37-156	ELBOW 45 GXG 8"	10.63	11.63	1.10

# Laying Length

SDR 26 Gasket

## ELBOW 45° GxS



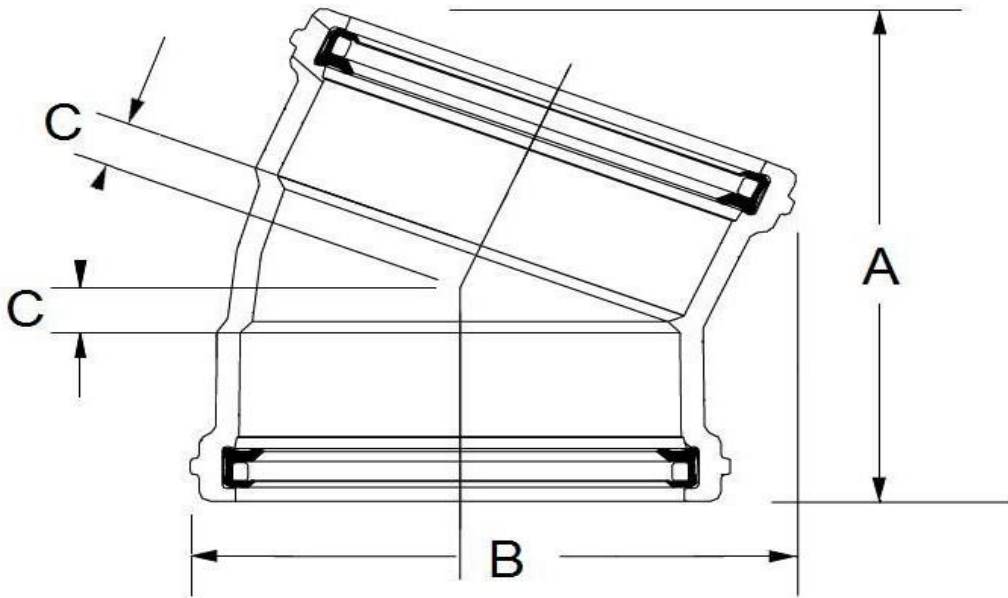
### INJECTION MOLDED FITTING

Part #	Description	A	B	C	D
37-1014	ELBOW 45 GXS 4"	7.50	5.88	0.96	2.38
37-1015	ELBOW 45 GXS 6"	12.00	8.38	1.41	3.92
37-175	ELBOW 45 GXS 8"	13.63	11.53	1.10	4.13

# Laying Length

SDR 26 Gasket

## ELBOW 22.5° GxG



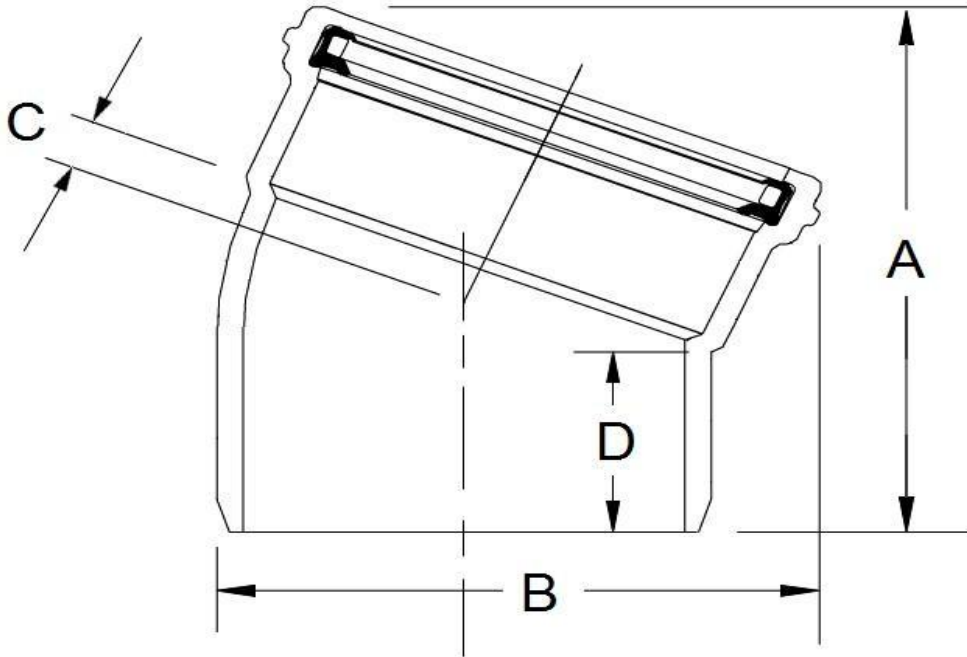
### INJECTION MOLDED FITTING

Part #	Description	A	B	C
37-1008	ELBOW 22.5 GXG 4"	7.86	6.18	0.54
37-1009	ELBOW 22.5 GXG 6"	9.58	8.52	0.81
37-155	ELBOW 22.5 GXG 8"	12.40	11.04	1.10

# Laying Length

SDR 26 Gasket

## ELBOW 22.5° GxS



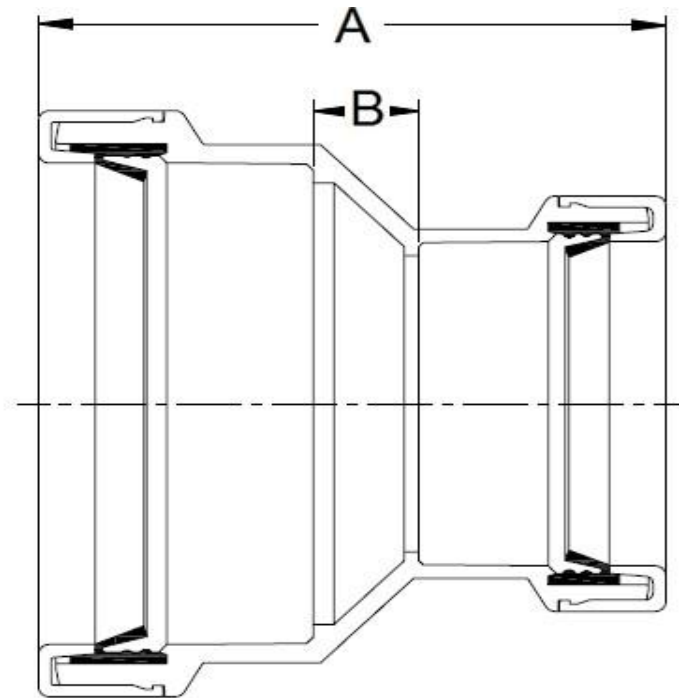
INJECTION MOLDED FITTING

Part #	Description	A	B	C	D
37-1010	ELBOW 22.5 GXS 4"	7.32	5.56	0.54	3.01
37-1011	ELBOW 22.5 GXS 6"	9.65	8.07	0.81	3.49
37-174	ELBOW 22.5 GXS 8"	9.80	10.38	1.10	5.25

# Laying Length

SDR 26 Gasket

## INCREASER COUPLING GXG CONCENTRIC



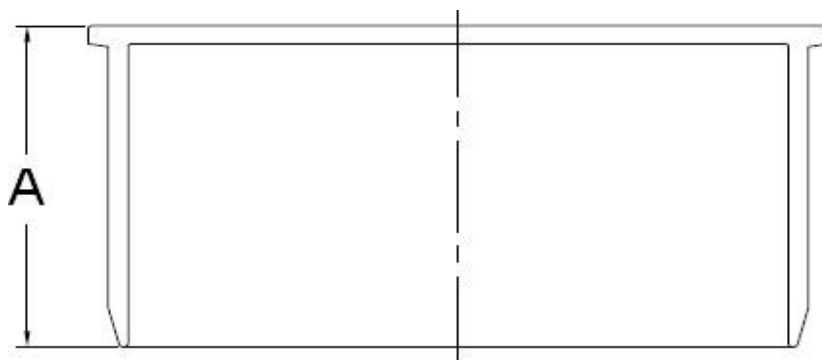
### INJECTION MOLDED FITTING

Part #	Description	A	B
37-1022	INCREASER COUPLING GXG 6" X 4" CONCENTRIC	7.38	1.24
37-55	INCREASER COUPLING GXG 8" X 4" CONCENTRIC	9.58	2.41
37-59	INCREASER COUPLING GXG 8" X 6" CONCENTRIC	9.58	2.09

# Laying Length

SDR 26 Gasket

## PERMANENT PLUG



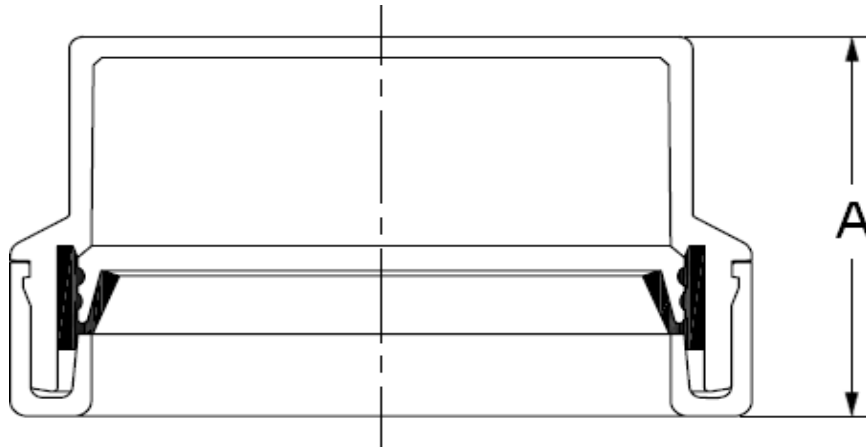
INJECTION MOLDED FITTING

Part #	Description	A
37-1040	PERMANENT PLUG 4"	3.00
37-1041	PERMANENT PLUG 6"	3.70
37-1042	PERMANENT PLUG 8"	4.37

# Laying Length

SDR 26 Gasket

## CAP



INJECTION MOLDED FITTING

Part #	Description	A
37-1000	CAP GASKET 4"	3.09
37-1001	CAP GASKET 6"	3.47