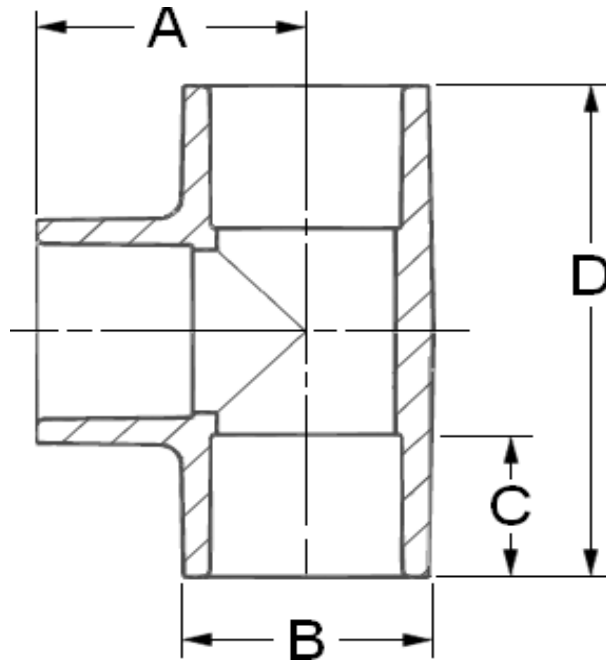


Laying Length

SCHEDULE 40

TEE



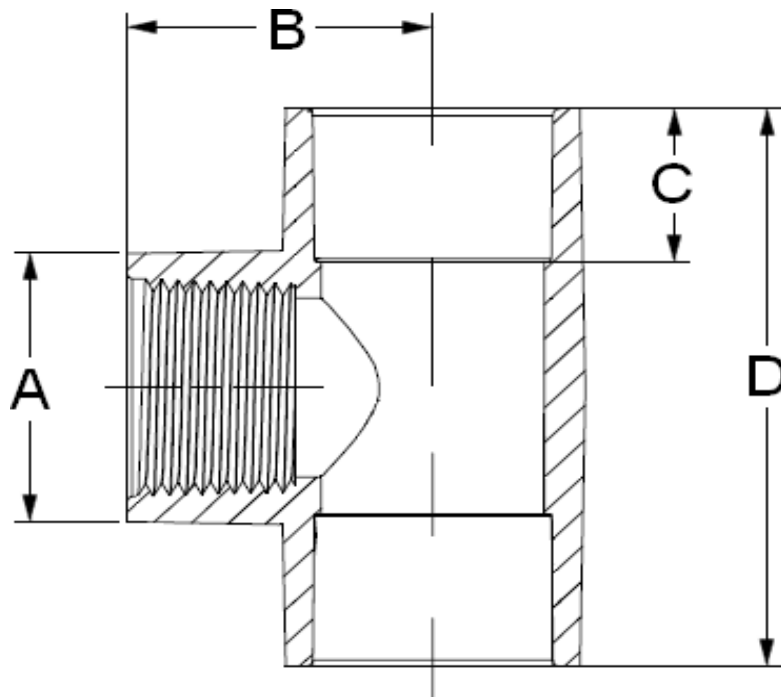
INJECTION MOLDED FITTING

Part #	Description	A	B	C	D
401-005	TEE 1/2 SCH40	1.18	1.08	0.69	2.36
401-007	TEE 3/4 SCH40	1.36	1.32	0.74	2.71
401-010	TEE 1 SCH40	1.67	1.61	0.88	3.31
401-012	TEE 1 1/4 SCH40	1.90	1.98	0.95	3.84
401-015	TEE 1 1/2 SCH40	2.16	2.23	1.11	4.39
401-020	TEE 2 SCH40	2.47	2.71	1.18	5.00
401-025	TEE 2 1/2 SCH40	3.28	3.31	1.97	6.56
401-030	TEE 3 SCH40	3.81	4.00	1.87	7.69
401-040	TEE 4 SCH40	4.41	5.03	2.03	8.88
401-101	REDUCER TEE 3/4 x 1/2 SCH40	1.28	1.29	0.74	2.47
401-130	REDUCER TEE 1 x 1/2 SCH40	1.42	1.60	0.90	2.78
401-131	REDUCER TEE 1 x 3/4 SCH40	1.47	1.60	0.90	3.00

Laying Length

SCHEDULE 40

TEE (SLIP x THREAD)



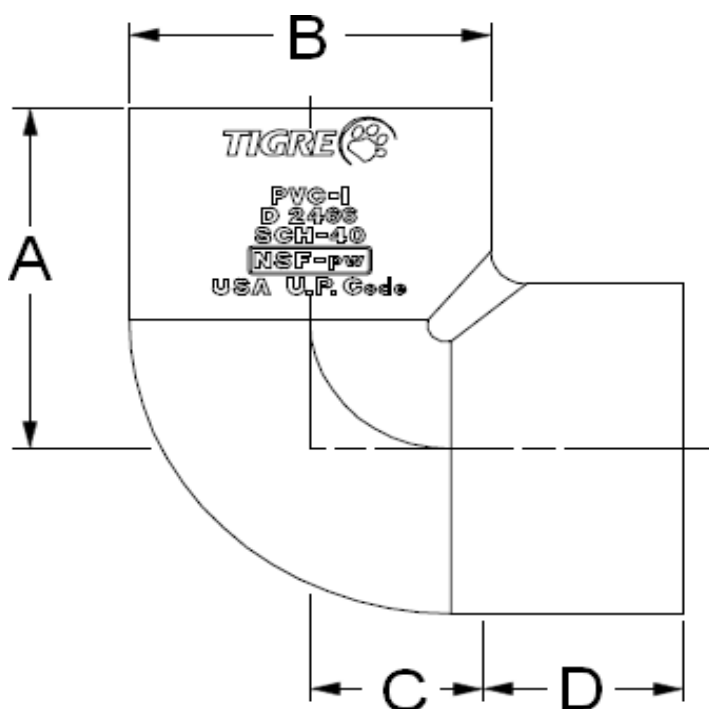
INJECTION MOLDED FITTING

Part #	Description	A	B	C	D
402-005	TEE (SLIP x THREAD) 1/2 SCH40	1.08	1.19	0.70	2.38
402-007	TEE (SLIP x THREAD) 3/4 SCH40	1.30	1.34	0.75	2.70
402-010	TEE (SLIP x THREAD) 1 SCH40	1.62	1.66	0.89	3.31

Laying Length

SCHEDULE 40

ELBOW 90°



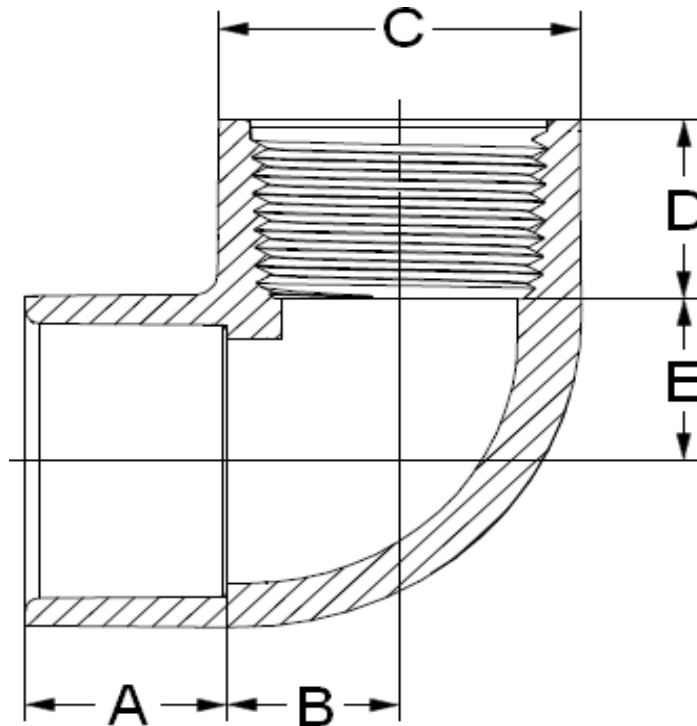
INJECTION MOLDED FITTING

Part #	Description	A	B	C	D
406-005	ELBOW 90 1/2 SCH40	1.19	1.08	0.73	0.70
406-007	ELBOW 90 3/4 SCH40	1.27	1.29	0.53	0.74
406-010	ELBOW 90 1 SCH40	1.73	1.60	0.83	0.90
406-012	ELBOW 90 1 1/4 SCH40	1.86	1.97	1.00	0.96
406-015	ELBOW 90 1 1/2 SCH40	2.19	2.22	1.08	1.12
406-020	ELBOW 90 2 SCH40	2.50	2.72	1.32	1.18
406-025	ELBOW 90 2 1/2 SCH40	3.22	3.31	1.94	1.28
406-030	ELBOW 90 3 SCH40	3.72	3.97	1.84	1.88
406-040	ELBOW 90 4 SCH40	4.31	5.00	2.28	2.03

Laying Length

SCHEDULE 40

ELBOW 90° (SLIP x THREAD)



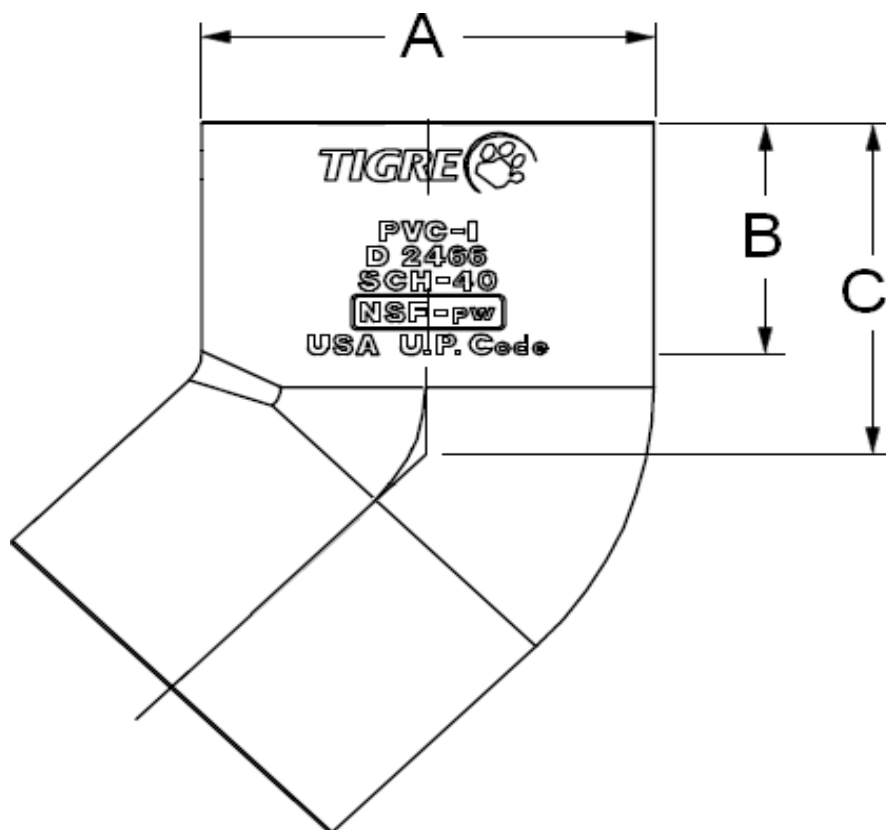
INJECTION MOLDED FITTING

Part #	Description	A	B	C	D	E
407-005	ELBOW 90 (SLIP x THREAD) 1/2 SCH40	0.70	0.53	1.08	0.68	0.42
407-007	ELBOW 90 (SLIP x THREAD) 3/4 SCH40	0.75	0.58	1.31	0.75	0.58
407-010	ELBOW 90 (SLIP x THREAD) 1 SCH40	0.90	0.76	1.60	0.87	0.79

Laying Length

SCHEDULE 40

ELBOW 45°



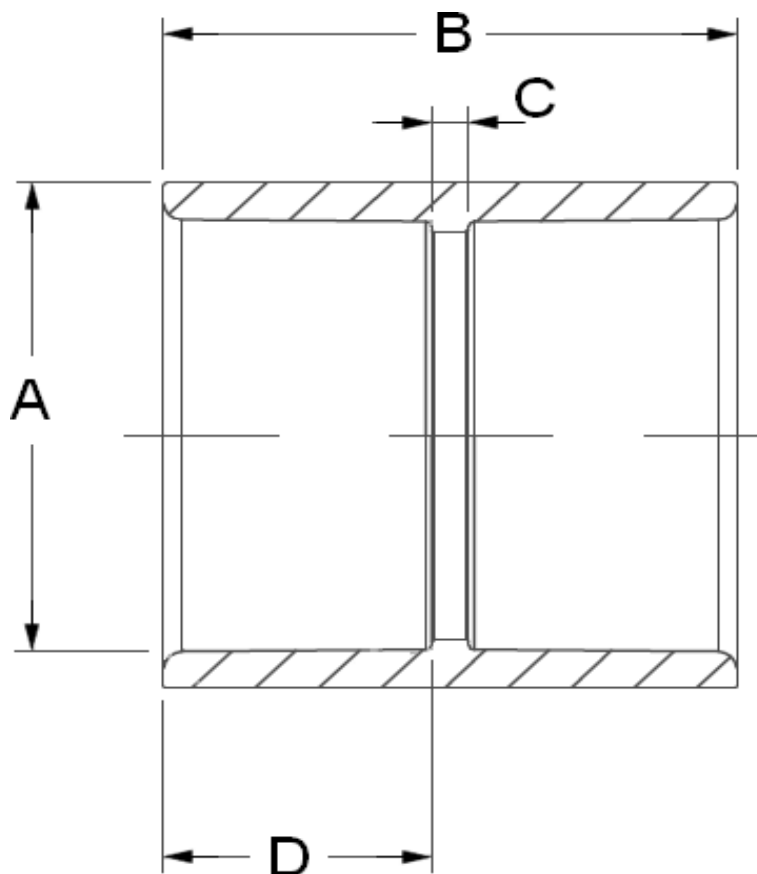
INJECTION MOLDED FITTING

Part #	Description	A	B	C
417-005	ELBOW 45 1/2 SCH40	1.08	0.70	0.96
417-007	ELBOW 45 3/4 SCH40	1.30	0.75	1.06
417-010	ELBOW 45 1 SCH40	1.60	0.90	1.24
417-012	ELBOW 45 1 1/4 SCH40	1.98	0.96	1.47
417-015	ELBOW 45 1 1/2 SCH40	2.23	1.12	1.65
417-020	ELBOW 45 2 SCH40	2.71	1.18	2.02
417-025	ELBOW 45 2 1/2 SCH40	3.34	1.75	2.44
417-030	ELBOW 45 3 SCH40	3.97	2.00	2.88
417-040	ELBOW 45 4 SCH40	5.00	2.00	3.09

Laying Length

SCHEDULE 40

COUPLING



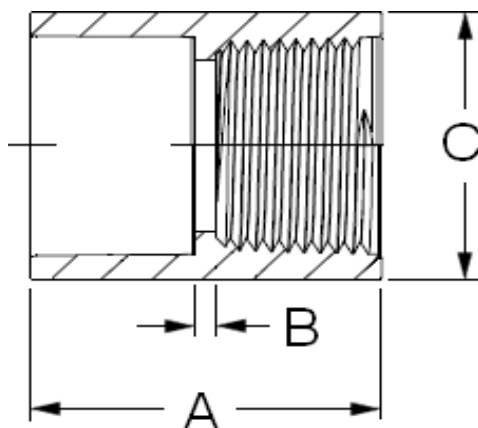
INJECTION MOLDED FITTING

Part #	Description	A	B	C	D
429-005	COUPLING 1/2 SCH40	1.09	1.51	0.13	0.69
429-007	COUPLING 3/4 SCH40	1.29	1.57	0.10	0.74
429-010	COUPLING 1 SCH40	1.60	1.90	0.10	0.90
429-012	COUPLING 1 1/4 SCH40	1.96	2.04	0.15	0.95
429-015	COUPLING 1 1/2 SCH40	2.21	2.37	0.15	1.11
429-020	COUPLING 2 SCH40	2.71	2.49	0.37	1.17
429-025	COUPLING 2 1/2 SCH40	3.31	3.75	0.19	1.78
429-030	COUPLING 3 SCH40	4.00	3.97	0.19	1.89
429-040	COUPLING 4 SCH40	5.06	4.25	0.25	2.00

Laying Length

SCHEDULE 40

FEMALE ADAPTER



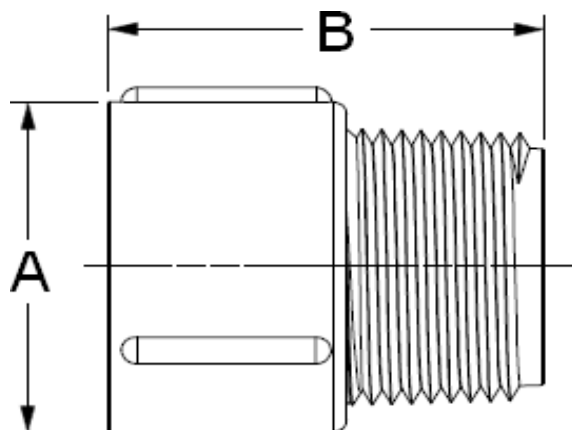
INJECTION MOLDED FITTING

Part #	Description	A	B	C
435-005	FEMALE ADAPTER 1/2 SCH40	1.48	0.10	1.08
435-007	FEMALE ADAPTER 3/4 SCH40	1.58	0.10	1.30
435-010	FEMALE ADAPTER 1 SCH40	1.89	0.10	1.60
435-012	FEMALE ADAPTER 1 1/4 SCH40	2.08	0.16	1.95
435-015	FEMALE ADAPTER 1 1/2 SCH40	2.23	1.60	2.21
435-020	FEMALE ADAPTER 2 SCH40	2.46	0.16	2.70
435-025	FEMALE ADAPTER 2 1/2 SCH40	3.25	0.19	3.31
435-030	FEMALE ADAPTER 3 SCH40	3.50	0.25	4.00
435-040	FEMALE ADAPTER 4 SCH40	4.00	0.25	5.03

Laying Length

SCHEDULE 40

MALE ADAPTER



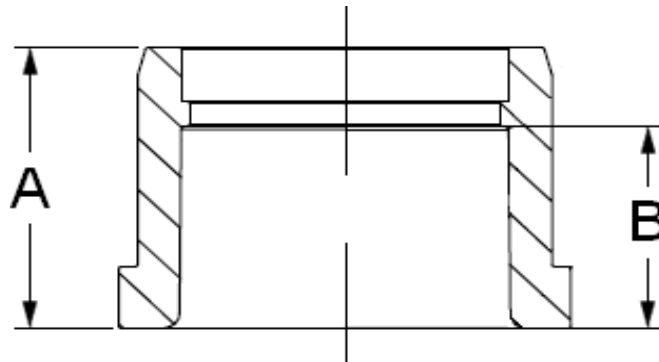
INJECTION MOLDED FITTING

Part #	Description	A	B
436-005	MALE ADAPTER 1/2 SCH40	1.07	1.50
436-007	MALE ADAPTER 3/4 SCH40	1.29	1.62
436-010	MALE ADAPTER 1 SCH40	1.60	1.93
436-012	MALE ADAPTER 1 1/4 SCH40	1.96	2.11
436-015	MALE ADAPTER 1 1/2 SCH40	2.22	2.28
436-020	MALE ADAPTER 2 SCH40	2.72	2.50
436-025	MALE ADAPTER 2 1/2 SCH40	3.41	3.66
436-030	MALE ADAPTER 3 SCH40	4.00	3.63
436-040	MALE ADAPTER 4 SCH40	5.00	3.81

Laying Length

SCHEDULE 40

REDUCER BUSHING SLIP



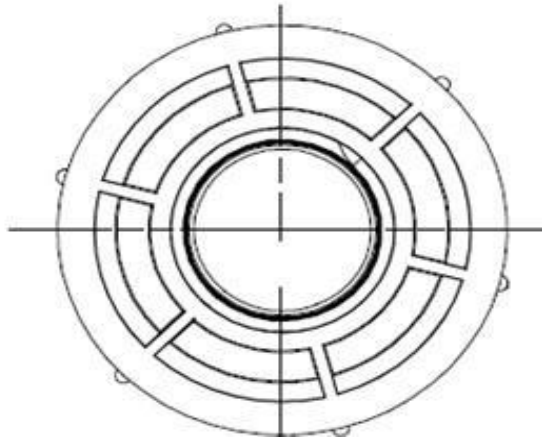
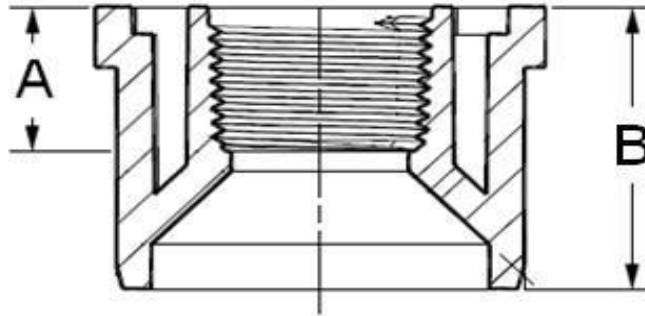
INJECTION MOLDED FITTING

Part #	Description	A	B
437-101	REDUCER BUSHING SLIP 3/4 x 1/2 SCH40	1.01	0.70
437-130	REDUCER BUSHING SLIP 1 x 1/2 SCH40	1.19	0.70
437-131	REDUCER BUSHING SLIP 1 x 3/4 SCH40	1.19	0.74
437-166	REDUCER BUSHING SLIP 1 1/4 x 1/2 SCH40	1.24	0.71
437-167	REDUCER BUSHING SLIP 1 1/4 x 3/4 SCH40	1.24	0.74
437-168	REDUCER BUSHING SLIP 1 1/4 x 1 SCH40	1.24	0.89
437-210	REDUCER BUSHING SLIP 1 1/2 x 3/4 SCH40	1.44	0.74
437-211	REDUCER BUSHING SLIP 1 1/2 x 1 SCH40	1.42	0.87
437-212	REDUCER BUSHING SLIP 1 1/2 x 1 1/4 SCH40	1.46	0.96
437-247	REDUCER BUSHING SLIP 2 x 1/2 SCH40	1.52	0.69
437-248	REDUCER BUSHING SLIP 2 x 3/4 SCH40	1.52	0.74
437-249	REDUCER BUSHING SLIP 2 x 1 SCH40	1.52	0.89
437-250	REDUCER BUSHING SLIP 2 x 1 1/4 SCH40	1.52	0.95
437-251	REDUCER BUSHING SLIP 2 x 1 1/2 SCH40	1.52	1.09
437-290	REDUCER BUSHING SLIP 2 1 1/2 x 1 1/4 SCH40	2.19	1.13
437-291	REDUCER BUSHING SLIP 2 1 1/2 x 1 1/2 SCH40	2.16	1.19
437-292	REDUCER BUSHING SLIP 2 1/2 x 2 SCH40	2.17	1.17
437-338	REDUCER BUSHING SLIP 3 x 2 SCH40	2.22	0.56
437-339	REDUCER BUSHING SLIP 3 x 2 1/2 SCH40	2.36	1.76
437-420	REDUCER BUSHING SLIP 4 x 2 SCH40	2.38	1.00
437-422	REDUCER BUSHING SLIP 4 x 3 SCH40	2.22	0.34

Laying Length

SCHEDULE 40

REDUCER BUSHING THREAD



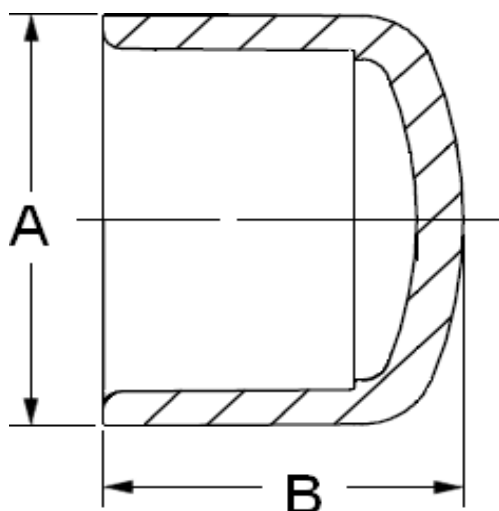
INJECTION MOLDED FITTING

Part #	Description	A	B
438-101	REDUCER BUSHING THREAD 3/4 x 1/2 SCH40	0.67	1.01
438-130	REDUCER BUSHING THREAD 1 x 1/2 SCH40	0.67	1.17
438-131	REDUCER BUSHING THREAD 1 X 3/4 SCH40	0.72	1.17
438-166	REDUCER BUSHING THREAD 1 1/4 x 1/2 SCH40	0.68	1.24
438-167	REDUCER BUSHING THREAD 1 1/4 x 3/4 SCH40	0.73	1.24
438-168	REDUCER BUSHING THREAD 1 1/4 x 1 SCH40	0.86	1.25
438-210	REDUCER BUSHING THREAD 1 1/2 x 3/4 SCH40	0.74	1.43
438-211	REDUCER BUSHING THREAD 1 1/2 x 1 SCH40	0.87	1.43
438-212	REDUCER BUSHING THREAD 1 1/2 X 1 1/4 SCH40	0.97	1.45
438-248	REDUCER BUSHING THREAD 2 x 3/4 SCH40	0.72	1.51
438-251	REDUCER BUSHING THREAD 2X1 1/2 SCH40	0.75	1.88

Laying Length

SCHEDULE 40

CAP SLIP



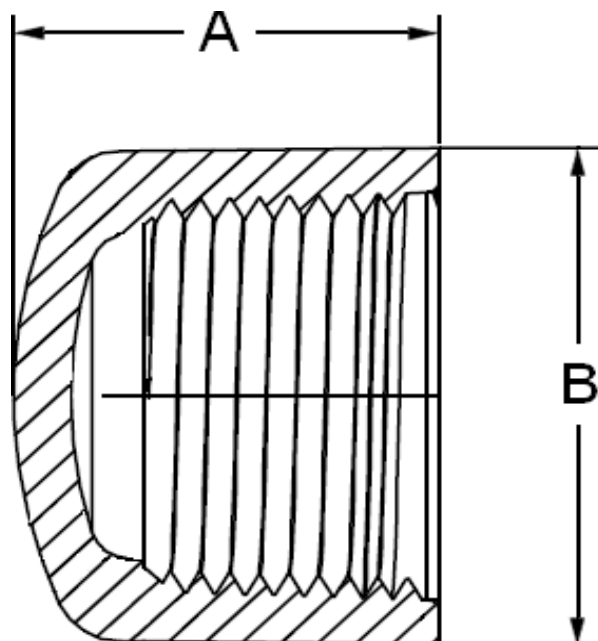
INJECTION MOLDED FITTING

Part #	Description	A	B
447-005	CAP SLIP 1/2 SCH40	1.08	0.99
447-007	CAP SLIP 3/4 SCH40	1.30	1.08
447-010	CAP SLIP 1 SCH40	1.60	1.27
447-012	CAP SLIP 1 1/4 SCH40	1.96	1.39
447-015	CAP SLIP 1 1/2 SCH40	2.22	1.57
447-020	CAP SLIP 2 SCH40	2.71	1.79
429-025	COUPLING 2 1/2 SCH40	3.31	2.56
447-030	CAP SLIP 3 SCH40	4.00	2.91
429-040	COUPLING 4 SCH40	5.06	3.13

Laying Length

SCHEDULE 40

CAP THREAD



INJECTION MOLDED FITTING

Part #	Description	A	B
448-005	CAP THREAD 1/2 SCH40	0.97	1.07
448-007	CAP THREAD 3/4 SCH40	1.06	1.28
448-010	CAP THREAD 1 SCH40	1.27	1.59
448-025	CAP THREAD 2 1/2 SCH40	2.31	3.28
448-030	CAP THREAD 3 SCH40	2.41	4.00
448-040	CAP THREAD 4 SCH40	2.69	5.00